

**AMERICAN
CATERING
EQUIPMENT**

PILLAR TAPS
cross head or lever handle
heavy chrome

Heavy duty chrome on brass, robust construction, good aesthetic style, safety finish is easy to maintain and keep clean. Suitable for any harsh hard working environment where high standard of hygiene is essential.

Pillar taps designed for kitchens, food service areas, hospitals, laboratories, butchers, abattoirs, bakery, dairy, fishmonger, food processing, veterinary services and any other area where stringent standards are required.

The quality of these taps is certified worldwide by:

- NSF** (National Sanitary Foundation)
- ANSI** (American National Standards Institute)
- WRAS** (Water Regulations Advisory Scheme)

All pillar taps are dispatched in easy to handle and store cartons ready for on site installation.



**SPTC 1/2" PILLAR TAP
CROSS HEAD**



**SPTL 1/2" PILLAR TAP
LEVER HANDLE**



AMERICAN CATERING EQUIPMENT (UK) LIMITED
5 CHANTRY COURT
SOVEREIGN WAY
CHESTER WEST
CHESTER CH1 4QN
UNITED KINGDOM

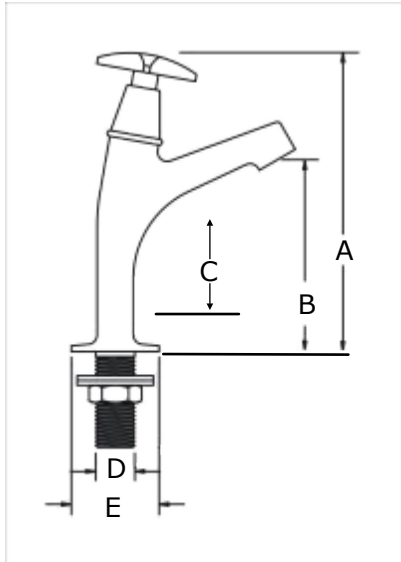
TEL: + 44 (0) 1244 381281
FAX: + 44 (0) 1244 381700
OFFICE: FSE@ACE-UK.COM
PARTS: PARTS@ACE-UK.COM
WEBSITE: WWW.ACE-UK.COM



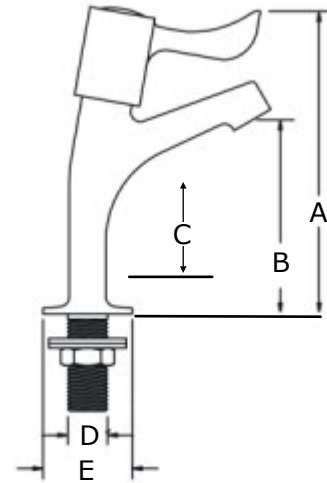
PILLAR TAPS

cross head or lever handle

Technical Drawing



SPTC



SPTL

| Dimensions | | millimeters |
|-----------------------|---|-------------|
| Tap height | A | 173 |
| Sink / Spout | B | 106 |
| Tap connection length | C | 49 |
| Tap connection O/D | D | 21 |
| Tap flange diameter | E | 44 |

| Construction | |
|----------------------------|----------------|
| Main components / fittings | Chrome / Brass |

Model numbers for ordering:

SPTC pillar taps cross head

SPTL pillar taps lever handles



| Model | SPTC | SPTL |
|---------------------------|-------------------|------|
| Nominal Packed Dimensions | 308 x 155 x 70 mm | |
| Approx Packed Weight | 1.5 kg | |

Specifications subject to continuous improvement program



AMERICAN CATERING EQUIPMENT (UK) LIMITED
 5 CHANTRY COURT
 SOVEREIGN WAY
 CHESTER WEST
 CHESTER CH1 4QN
 UNITED KINGDOM

TEL: + 44 (0) 1244 381281
 FAX: + 44 (0) 1244 381700
 OFFICE: FSE@ACE-UK.COM
 PARTS: PARTS@ACE-UK.COM
 WEBSITE: WWW.ACE-UK.COM

